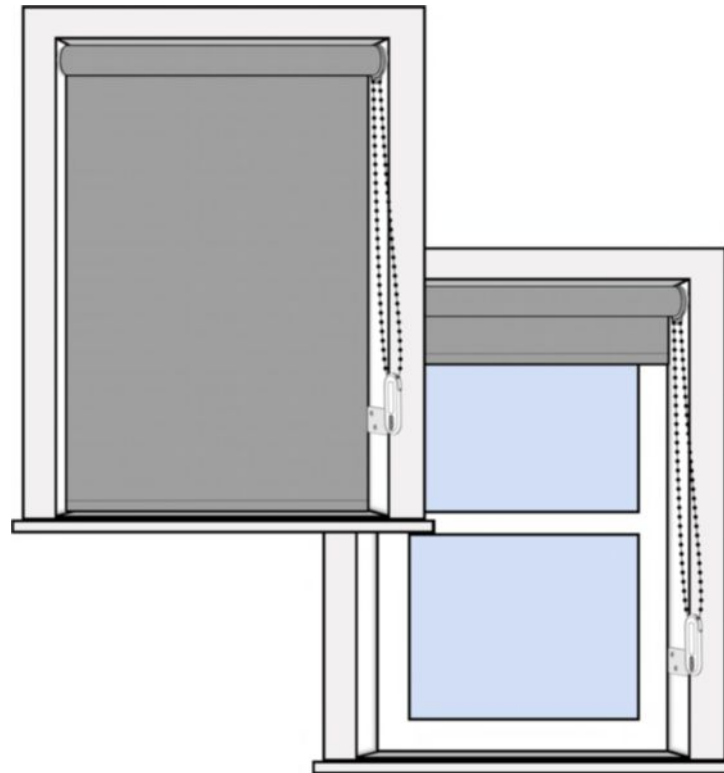


Installation Instructions Roller Shades



451 N. Cota St, Corona, CA 92880
800-281-3013

Installing Your New Roller Shades

Please take a moment to review the contents of your parts package.

Your parts package should contain the following:

- 1) Mounting Brackets
- 2) Mounting Screws
- 3) Bracket Covers
- 4) Cord Tensioner

Before Mounting the Shade:

If your shade was ordered for inside mount installation, make sure the window is even or level, or the shade will not operate properly after installation. If you are ceiling mounting the shade, a shim may be required to ensure the roller tube will be level when installed.

If installing outside mount, make sure the brackets are even and level, so that the shade will operate properly. Also, make sure that the shade is the proper length to cover the window, and that it will clear any obstructions.

Important note: Roller shades may telescope if installed improperly, and cause damage to the shade fabric. It is absolutely essential the brackets be level to one another.

Choose your Mount Option:

The Universal Bracket can be used to mount the shade in any direction, Inside Frame or Wall Mount (Fig 1a) or Ceiling Mount. (Fig 1b) Choose your mount option before mounting your shades.

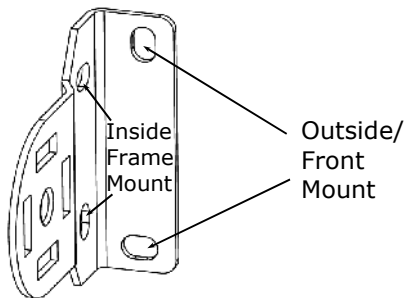


Fig. 1a

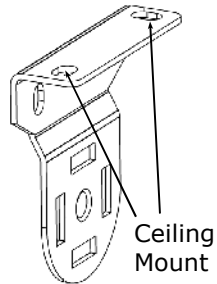


Fig. 1b

Installing the Shade:

Mount the brackets to the window frame or wall, using the mounting screws. (Fig 2) (Ceiling Mount not shown)

If mounting on the wall or ceiling, wall anchors or toggle bolts (not included) may be required.

Please note: If sharing a universal bracket between two shades, the bracket can only be shared by a clutch and a pin end together. For mounting two shades pin end to pin end, an intermediate bracket is required. (Available on request.) There are no brackets available to mount two shades clutch to clutch.

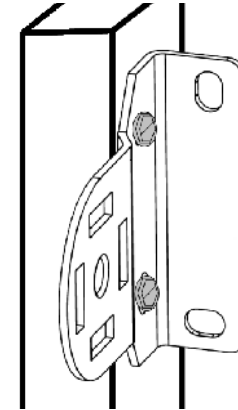


Fig. 2a

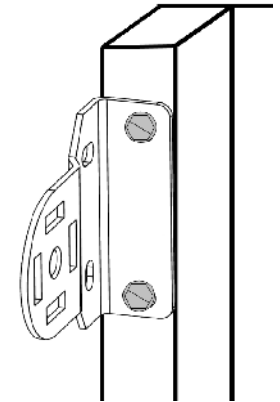


Fig. 2b

With the brackets in place, put the spring loaded pin end into the small round hole in the bracket. (Fig 3)

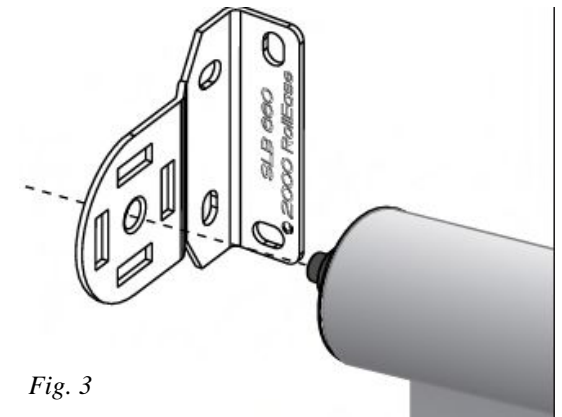


Fig. 3

Cont:

Keeping the pin end tightly secured in its bracket, insert the two hooks on the clutch into the corresponding slots in the bracket. (Fig 4) Once in place, gently pull down on the clutch until the hooks are securely locked onto the bracket. The chain end of the clutch should point straight down. (Fig 5)

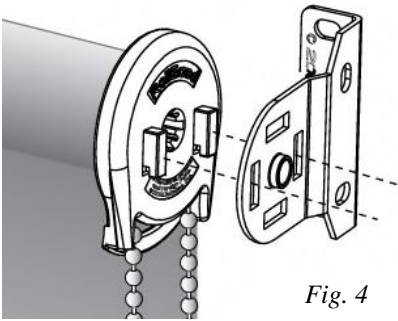


Fig. 4

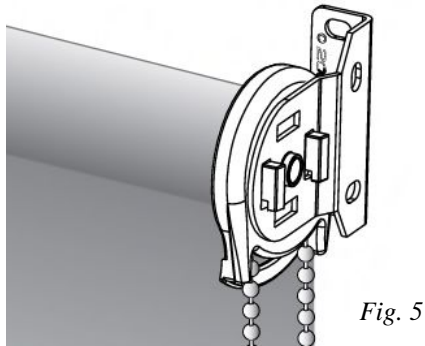


Fig. 5

Attach the Bracket Covers:

Slide the bracket cover over the bracket until it snaps into position. (Fig 6 & 7)

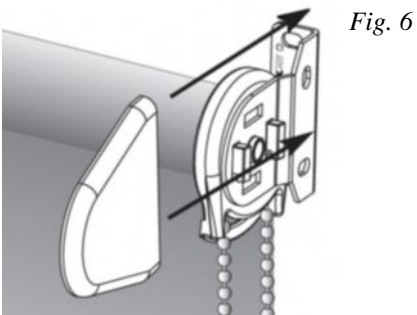


Fig. 6

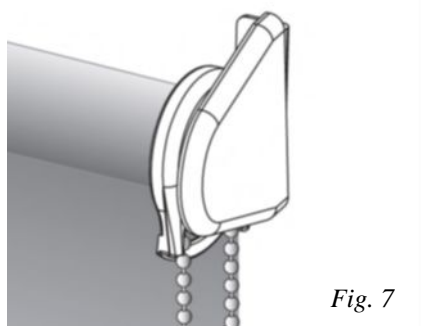


Fig. 7

Adjusting the Shade:

After installation, minor adjustments may need to be made, in order for the shade to operate correctly, and not telescope (the material drifts off the tube). Telescoping may cause the material to become damaged by the clutch or pin end.

If the shade appears to be telescoping, lower the shade to the lowest limit possible until the roller tube is exposed. Place a small X of masking tape or painter's tape on the roller tube, on the side the shade is telescoping away from. (Fig 8 (Example: if the shade is telescoping to the right, place the tape to the left.)) The position of the tape may need to be adjusted until the shade is rolling up correctly.

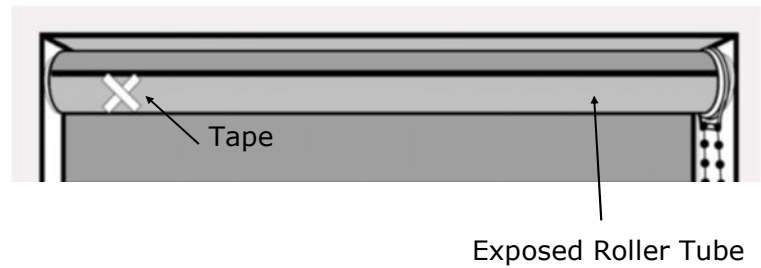


Fig. 8

Attach the Ball Stops:

An open bead ball stop is included with every roller shade, to stop the shade from continuing to roll down after it has reached the lower limit (bottom of the window).

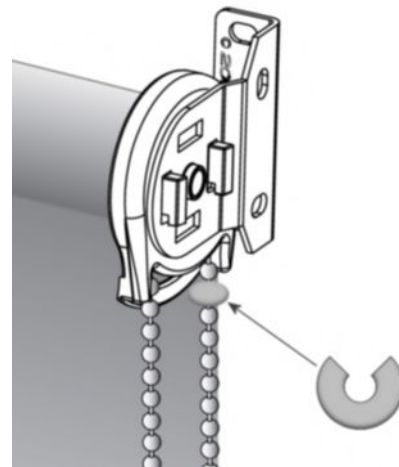


Fig. 9

The bead should be attached to the shade chain, at the back of the clutch, so that the bead touches the clutch when the shade is in the fully lowered position. (Fig 9)

Operating the Shade:

To raise the shade, grasp the chain at the front of the clutch, and pull down continuously until the shade is at the desired height. (Fig 10) (Take care not to over-roll the shade.

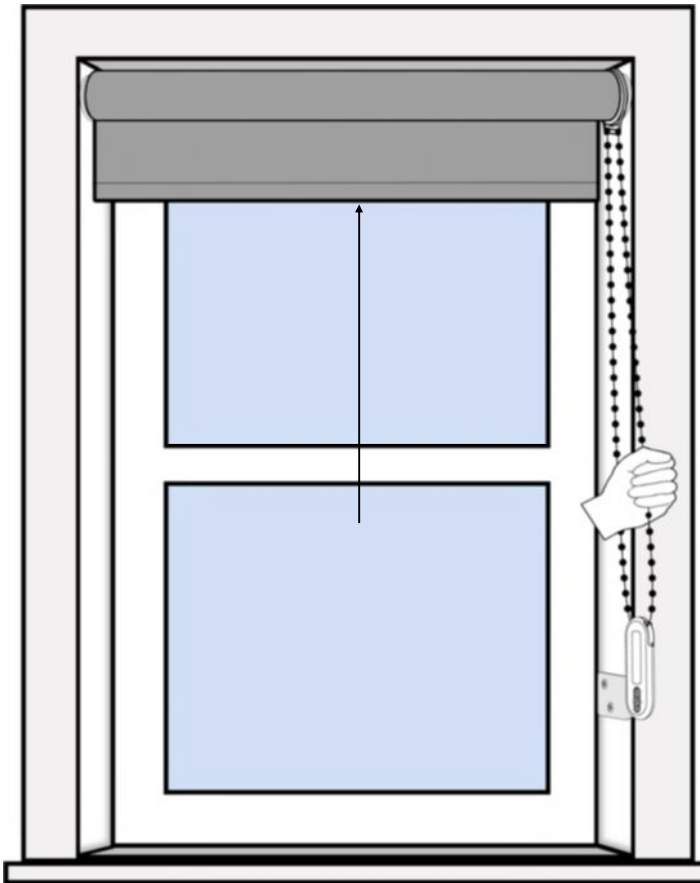


Fig. 10

To lower the shade, grasp the chain at the back of the clutch. Pull down continuously until the shade is lowered. (Fig 11) (Take care not to over-roll the shade.

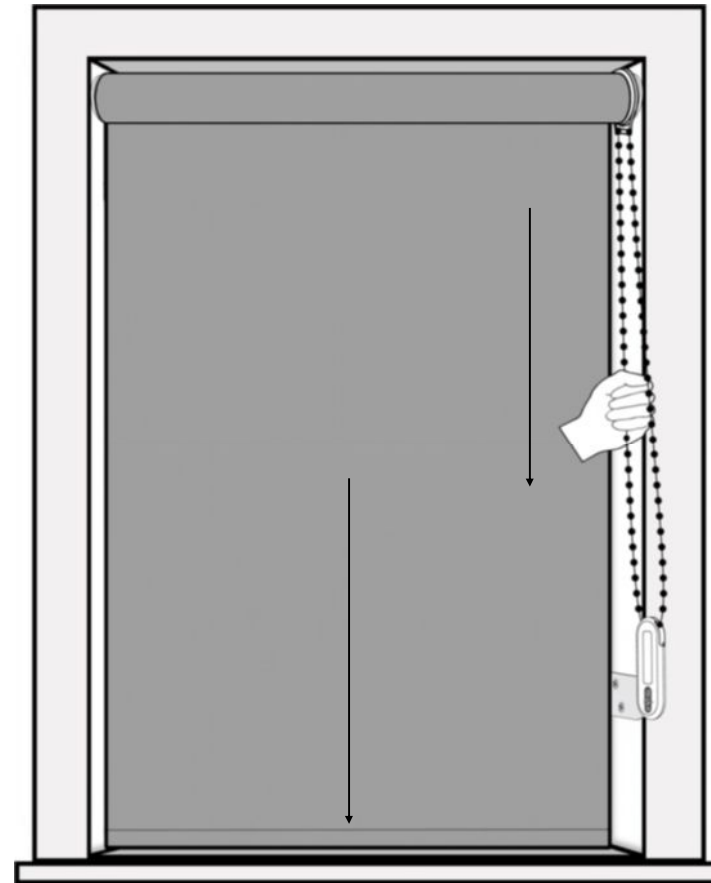


Fig. 11

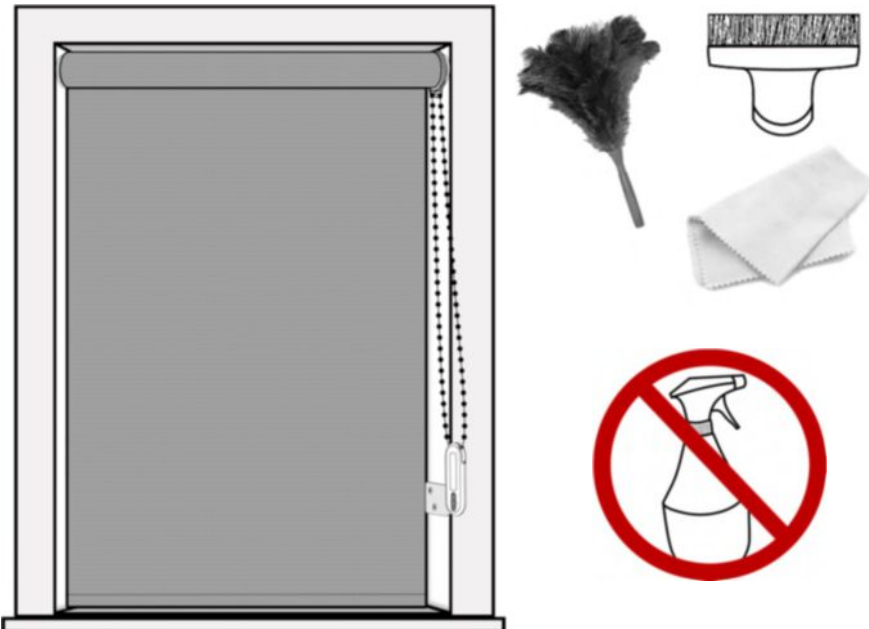
Caring For Your Shades:

The quality materials used in manufacturing your Roller Shade require minimal care to maintain their appearance for several years. Below are some simple tips to keep your window coverings looking their best.

Roller shade fabrics are easily cared for with regular dusting, using a feather duster or soft dry cloth. A soft vacuum cleaner with a soft brush attachment, will remove deeper dirt and dust. When cleaned regularly, surface dust is easily removed.

In the event a spot or stain occurs on your Roller Shade fabric, most fabrics are durable enough for cleaning. However, it is recommended you spot test a small hidden area of the shade before proceeding. Your dealer can provide you with detailed recommendations on how to clean your roller shade, based on the fabric you purchased.

Gently blot stains with a soft clean cloth, or sponge, lightly dampened with water. For tougher stains, a mild cleaning solution may be added. Do not use harsh chemicals or cleaning agents, as this may cause permanent discoloration of the fabric.



Child Safety - Roller Shades

Young children can STRANGLE in cord loops and in the loop above the cord stop. They can also wrap cords around their necks and STRANGLE. In addition, inner cords can pull out to form a loop, which can STRANGLE a young child.

- Always keep cords out of children's reach.
- Move cribs, playpens, and other furniture away from the windows, so a child cannot reach the operating cords.
- Do not tie cords together. Make sure cords do not twist together to create a loop.



Child Safety:

Century Blinds Inc. manufactures its products in accordance with ANSI/WCMA recommendations for Child Safety.

To help prevent children from becoming tangled in lift chains, all shades made with a continuous chain loop operation come with the SafetyHold 3 tension device. This device comes already attached to the chain and keeps the continuous loop safely anchored to the window frame or wall.

The SafetyHold 3 can be installed inside the window frame, or mounted outside the window frame. Detailed mounting instructions are included in the parts package for your shades.



The Window Covering Safety Council (WCSC) and the U.S. Consumer Product Safety Commission (CPSC) are urging parents and caregivers to check their window coverings for exposed or dangling cords that can pose a strangulation hazard to infants and young children, and to retrofit or replace them with today's safer products. WCSC and CPSC recommend that only cordless window coverings or those with inaccessible cords be used in homes with young children.